



Data Specs

30A XT60 LiPo Battery Connector

These connectors are made from high-temp nylon with gold-plated spring pins or sockets molded in. The shape of this generic XT60 prevents reverse polarity, and when plugged in the connection is super-solid. Suitable for applications up to 30A continuous current.



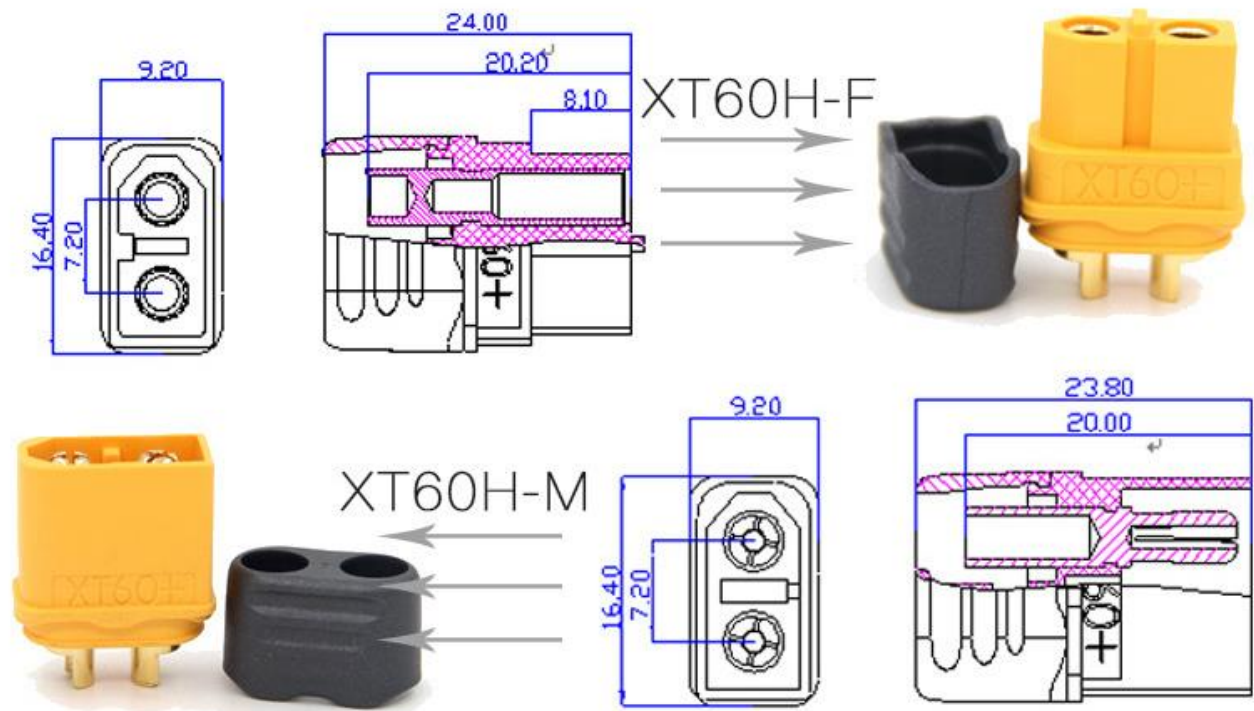
SKU: CON1197

Brief Specification:

- Pole Format: 2P.
- Pitch: 7.2mm.
- Type: Plug/Socket Pair.
- Voltage Rating: 500Vdc.
- Current Rating: 30A.
- ContactResistance:0.50mΩ
- Cable Spec: 12AWG.
- Surge Current: 60A.
- Contact Material: Brass.
- Housing Material: Polyamide.
- Contact Plating: Gold.
- Flame-Retardant Level: UL94V0.
- Operating Temperature: -20~+120°C.

Mechanical Dimension:

Unit: mm





Handsontec.com

We have the parts for your ideas

HandsOn Technology provides a multimedia and interactive platform for everyone interested in electronics. From beginner to diehard, from student to lecturer. Information, education, inspiration and entertainment. Analog and digital, practical and theoretical; software and hardware.



open source
hardware

HandsOn Technology support Open Source Hardware (OSHW) Development Platform.

Learn : Design : Share

handsontec.com



The Face behind our product quality...

In a world of constant change and continuous technological development, a new or replacement product is never far away – and they all need to be tested.

Many vendors simply import and sell without checks and this cannot be the ultimate interests of anyone, particularly the customer. Every part sell on Handsotec is fully tested. So when buying from Handsotec products range, you can be confident you're getting outstanding quality and value.

We keep adding the new parts so that you can get rolling on your next project.



www.handsontec.com

[Breakout Boards & Modules](#)



[Connectors](#)



www.handsontec.com

[Electro-Mechanical Parts](#)



www.handsontec.com

[Engineering Material](#)



www.handsontec.com

[Mechanical Hardware](#)



[Electronics Components](#)

P



www.handsontec.com

[Power Supply](#)



[Arduino Board & Shield](#)

[Tools & Accessory](#)



www.handsontec.com

[Tools & Accessory](#)