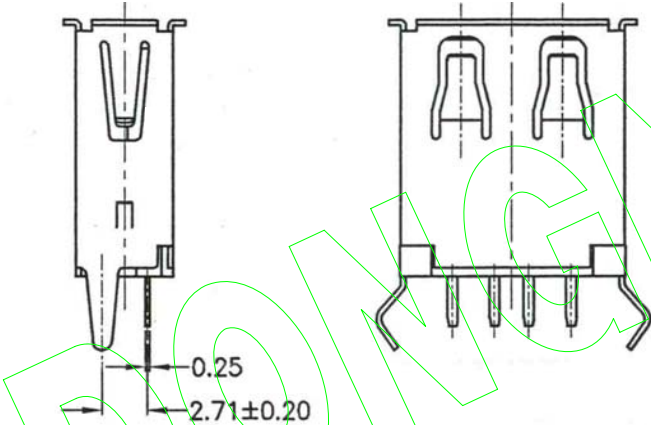
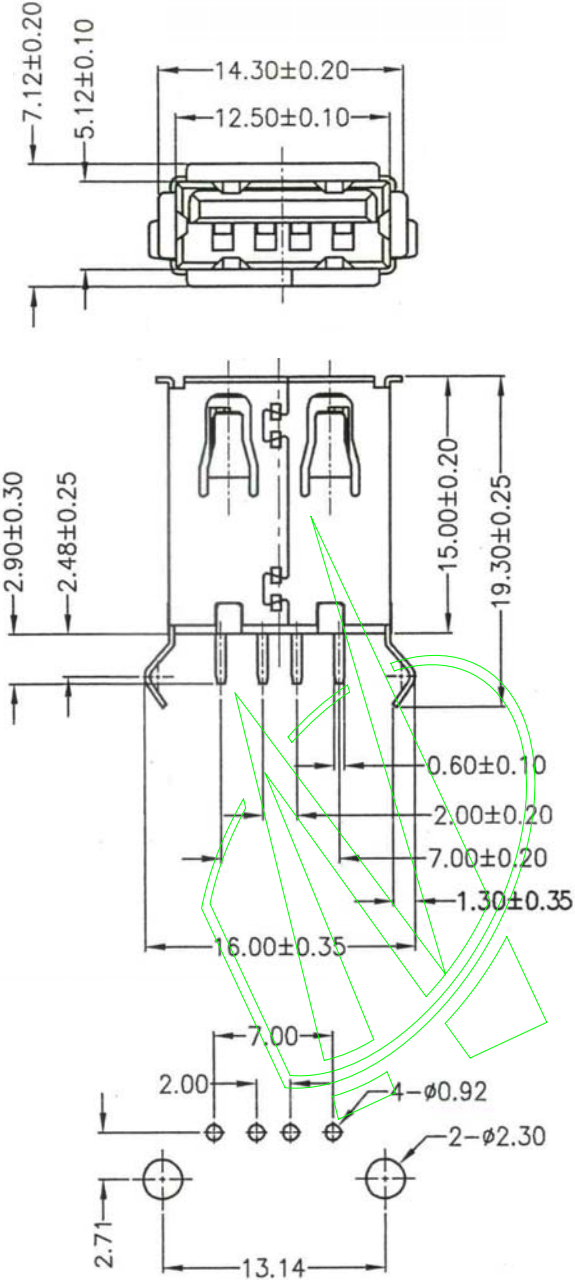


HOW TO ORDER

USB-A1D41F-□□4□-7260

code	Gold-plating contact spec.	code	Housing color	code	Shell plating spec.
0	Gold flash	B	Black	T	Tin plating
03	3u"	N	Nature	N	Nickel plating
06	6u"	W	White		
15	15u"				
30	30u"				



DONGNAN

SPEC:  
 Rating: 1.5A 30V  
 Contact resistance: 30mΩ max.  
 Insulation resistance: 1000 MΩ min.  
 Withstand voltage: 1000VAC/minute  
 Gold-plating: gold flash, 3u", 6u", 15u" & 30u"

RECOMMENDED P.C.B HOLE LAYOUT  
 TOP VIEW(TOLERANCE:±0.10)

RoHS Compliant

4	Shell	1	C2680H	Tin or Nickel plating
3	Back plug	1	PBT, UL94V-0	Nature/black/white
2	Housing	1	PBT, UL94V-0	Nature/black/white
1	Contact	4	C2680EH	Gold plating
NO	PART NAME	Q'TY	MATERIAL	REMARKS
DWN:	Z.L.Y.	NUIT:	mm	<b>DONGNAN ELECTRONICS</b>
CHKD:	SCALE:	TITLE:	USB A TYPE (FEMALE)	
APVD:	DNHK	DRWG NO.	MODEL:	USB-A1D41F-□□4□-7260