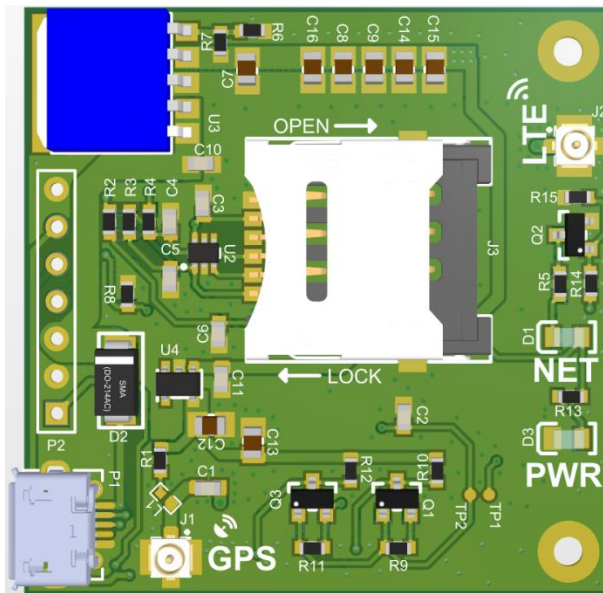


AM76 Board



The AM76 is a system that integrates a SIM7600 series cellular module, the LTE Cat 1 module which supports wireless communication modes of LTE-TDD/LTE-FDD/HSPA+/GSM/GPRS/EDGE, it supports maximum 10Mbps downlink rate and 5Mbps uplink rate, with multiple built-in network protocols, supports drivers for main operation systems (USB driver for Windows, Linux and Android etc.) and software function.

It incorporates a GNSS positioning system with support for GPS, GLONASS, BD and Galileo orbits, making it easy to develop tracking and location applications.

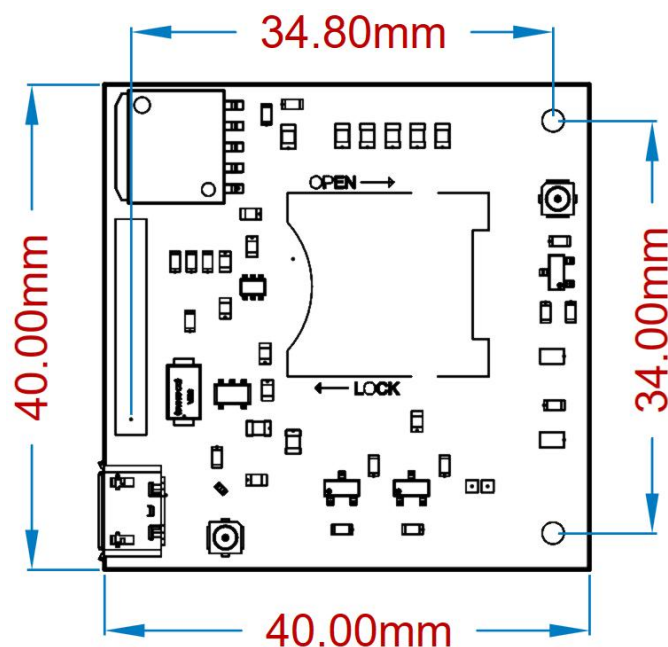
AM76 is suitable for main IoT applications such as telematics, tracking devices, surveillance and alarm devices, CPE, industrial routers and remote diagnostics.

Suitable for LTE, UMTS and GSM networks with global coverage.

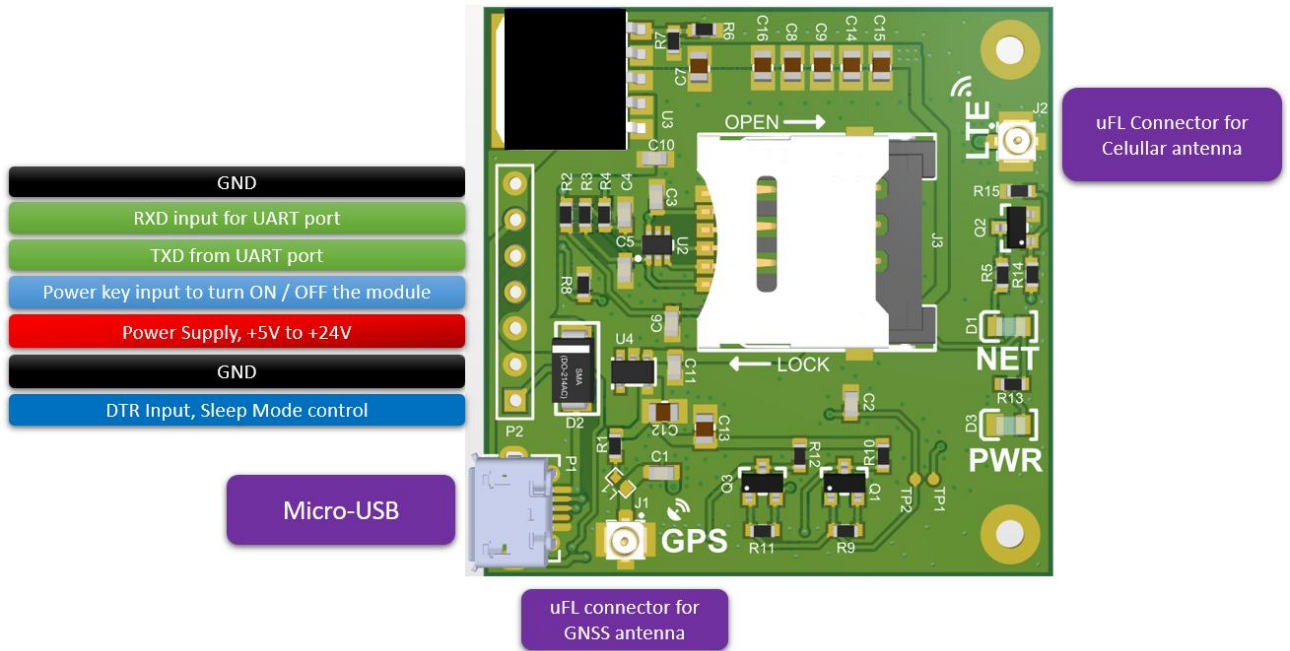
Specifications

| Feature | | Description |
|-------------------------------------|---------|---|
| Frequency bands SIM7600SA | LTE-FDD | B1/B2/B3/B4/B5/B7/B8/B28/B66 |
| | LTE-TDD | B40 |
| | WGDMA | B1/B2/B5/B8 |
| | GSM | 850/900/1800/1900MHz |
| Frequency bands SIM7600NA | LTE-FDD | B2/B4/B5/B12/B13/B14/B25/B26/B66/B71 |
| | LTE-TDD | B41 |
| GNSS | | GNSS engine (GPS, GLONASS, BD and Galileo). Protocol: NMEA. |
| SMS | | MT, MO, CB, Text and PDU mode. SMS storage: SIM card or ME(default). |
| SIM Interface | | Support identity card: 1.8V/ 3V. |
| UART interface | | Baud rate: 300bps to 4Mbps(default:115200bps) Can be used as the AT commands or data stream channel. |
| USB | | USB 2.0 high speed interface. Windows, Android and Linux Drivers (NDIS, RNDIS, ECM and MBIM) |
| Temperature range | | Extended operation temperature: -40°C to +85°C* |
| Power saving | | Current in sleep mode : <5mA |
| Power supply | | Power supply voltage 5.0~24V |
| Protocols | | TCP/UDP/LWM2M/COAP/MQTT/FTP/HTTP/TLS/DTLS/NTP |
| Size | | 40x40mm |
| Certifications | | FCC/IC/PTCRB/GCF/RoHS/REACH/CRC/Anatel/AT&T/Verizon/IC/CE/GFC/RCM/Telstra/NCC |
| Accessories | | L-2FB4 FPC LTE antenna x 1, G-1RF8 GNSS antenna x 1, A-1RD1A Adapter cable - SMA to IPEX 1 x 1. |

Dimensions



Pin and connector definition



Photos of finished samples

